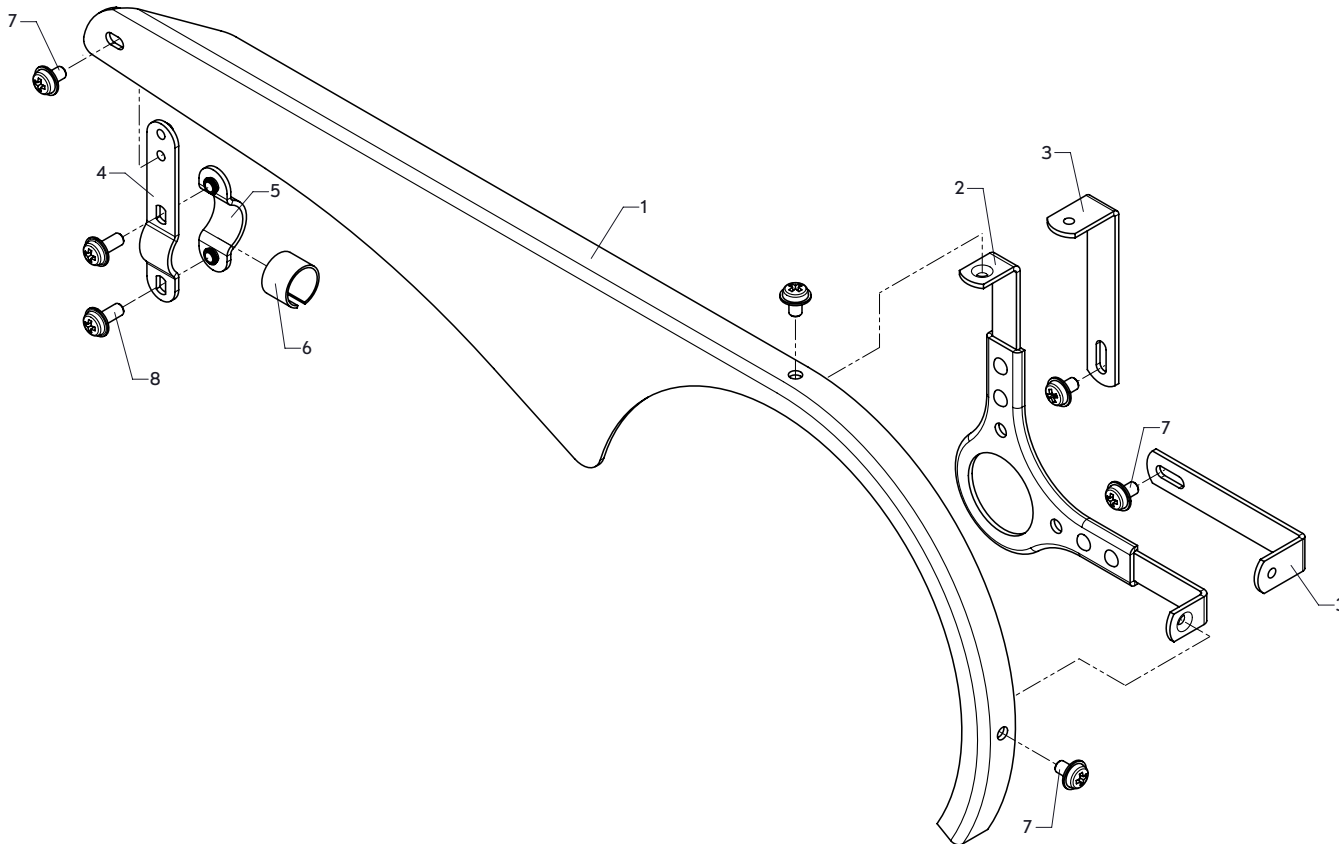




# CHAINCOVER ASSEMBLY INSTRUCTIONS



## REQUIRED TOOLS (NOT INCLUDED IN THE SALES PACKAGE)

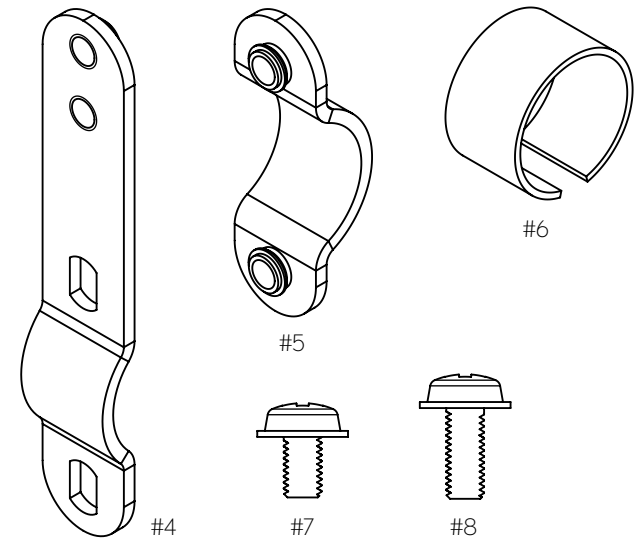


PZ1SCREWDRIVER

## PARTS LIST

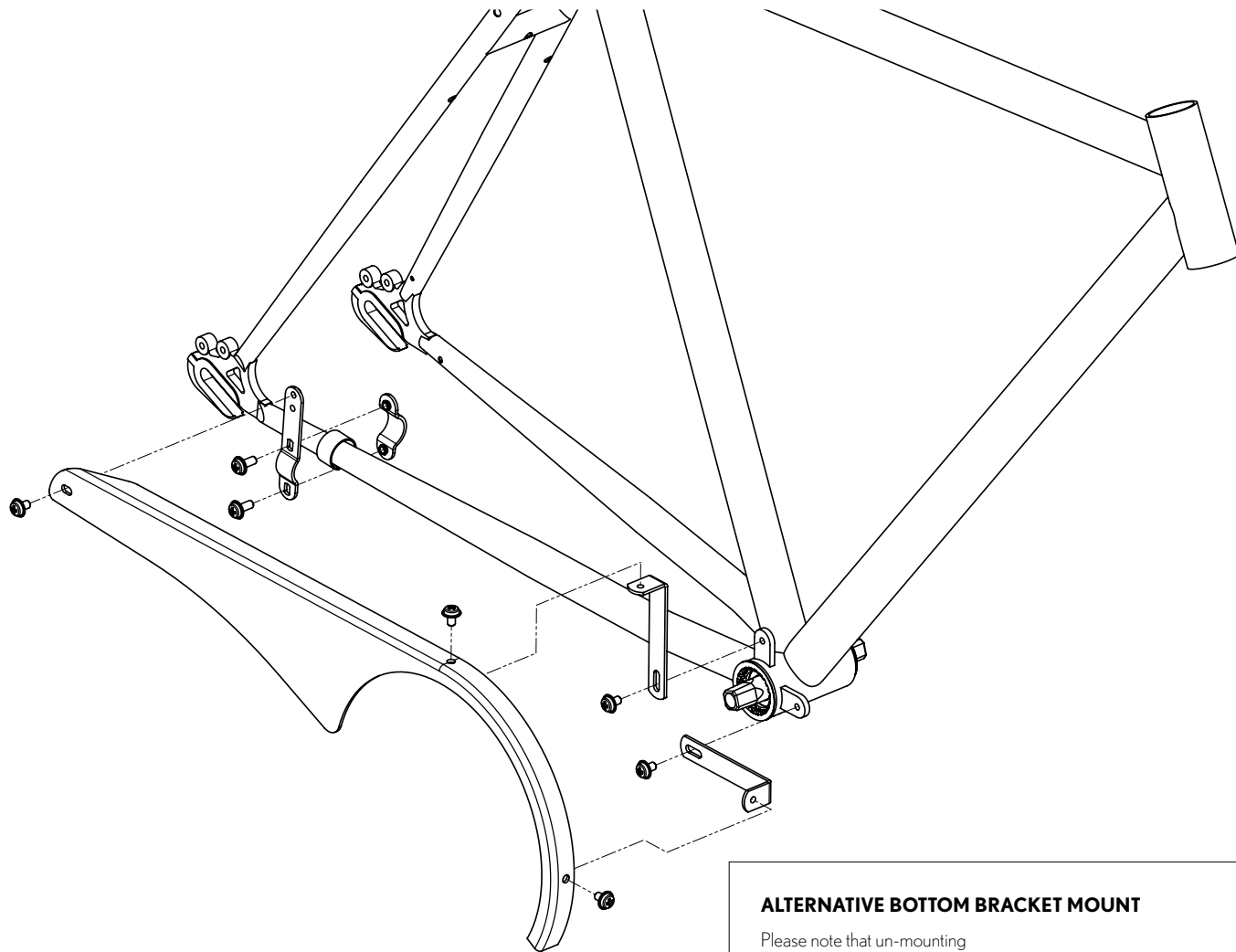
Part no.	Part name	Q'ty
1	Chain cover	1
2	BB mounting bracket	1
3	Pelago frame mounting bracket	2
4	Chain stay mounting bracket, outer	1
5	Chain stay mounting bracket, inner	1
6	Rubber protector	1
7	Bolt, M5x8 5	5
8	Bolt, M5x14	2

## SCREW SET (1:1)



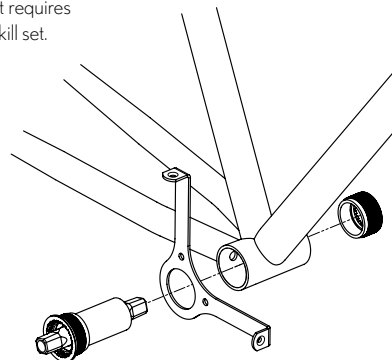
**TIGHTENING TORQUES** M5 \_\_\_\_\_ 6NM

**ALWAYS TIGHTEN FASTENERS TO THE CORRECT TORQUE**



#### ALTERNATIVE BOTTOM BRACKET MOUNT

Please note that un-mounting the bottom bracket requires special tools and skill set.



## PRODUCT INFO

### ⚠ PLEASE TAKE NOTE BEFORE ASSEMBLING THE CHAINCOVER TO YOUR BICYCLE

1. Make sure your bicycle is compatible with the chain cover
2. The chain cover is not compatible with a bicycle that has a derailleur drivetrain
3. The package includes small parts - Keep away from children under 3yrs
4. Follow the assembly instructions carefully
5. In any assembly problem turn to a professional bicycle mechanic
6. Any kind of structural changes made to the carrier are strictly forbidden
7. Improper assembly can lead to product failure

### ⚠ PLEASE TAKE NOTE WHEN CHAINCOVER IS IN REGULAR USE

1. Check the tension of all mounting screws and bicycle attachment points regularly
2. Tighten all bolts to their stated Nm torques. A precise tightening torque will be achieved with a torque wrench
3. Do not attach any pressure- or clamp-style attachments to any parts of the chain cover
4. Any type of physical or technical alterations to the chain cover are strictly forbidden
5. Make sure the chain cover does not touch any moving parts in your drivetrain or the back wheel while in motion

### WARRANTY

1. Guarantee of a Pelago product applies only to total product failure or breakage
2. Any other damage resulting from scratches, rust, improper mounting or deformation are excluded from the warranty
3. Only the original owner of the product is entitled to make a guarantee claim

Liability arising from errors or mistakes is not accepted.  
Pelago reserves the right to any changes without prior notice.

**MANUFACTURER**  
Pelago Mfg Ltd.  
Helsinki, Finland  
info@pelagobicycles.com  
TEL +358 (0)45 161 6847

**Pelago**  
BICYCLES