

Pedal assembly – important!

Pedals are marked with R (right) and L (left) letters and they need to be assembled the right way.

R-pedal goes to the right side of the bicycle (the side the chain is running) and L-pedal goes to the left side of the bicycle.

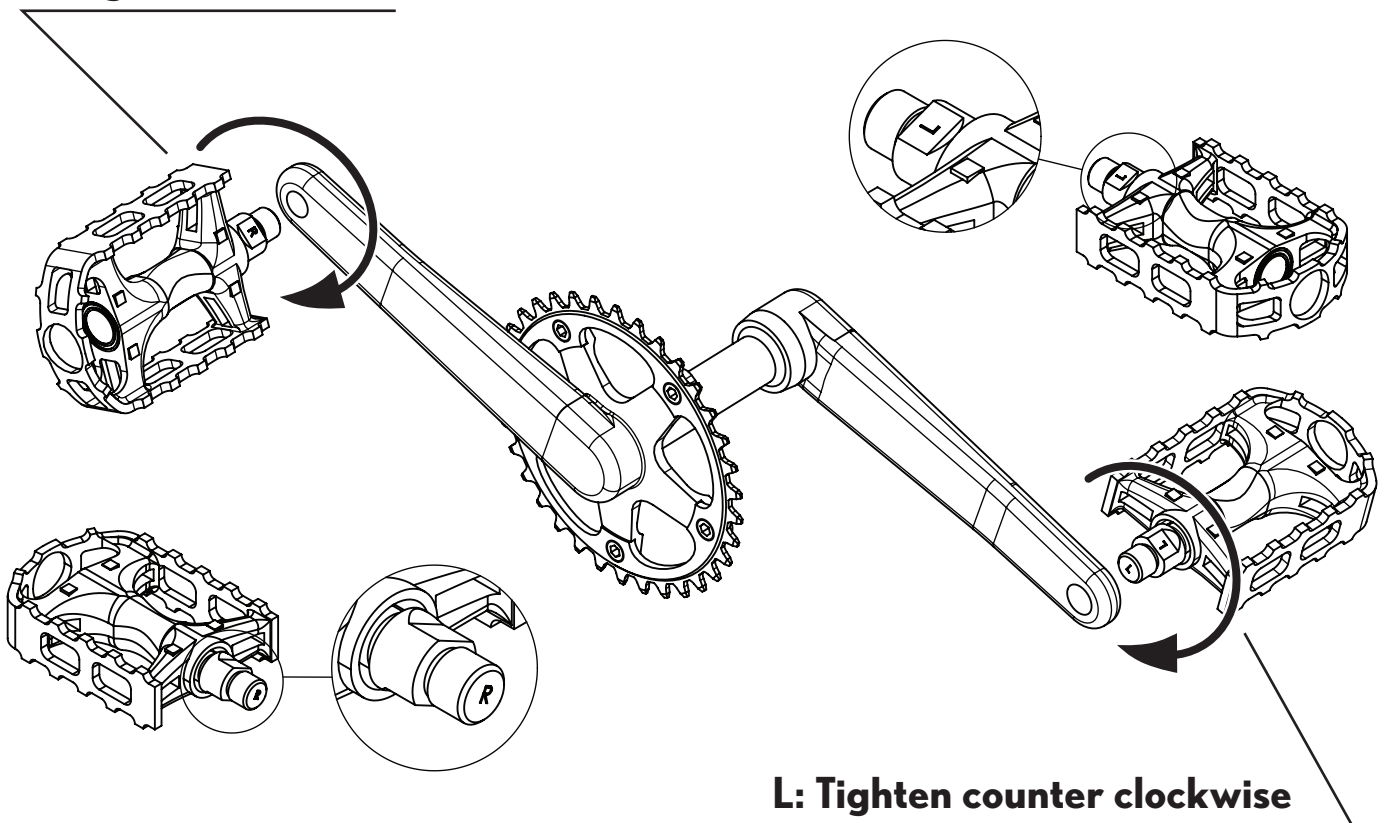
Right side pedal has a clockwise thread and left side pedal has a counter-clockwise thread.

Use 15mm allen wrench for tightening the pedal.

Pedals should be tightened to 40Nm tension.

Add some vaseline to the pedal threads before assembling the pedals to the cranks. This way you can ensure that the pedals don't get stuck on the crank in the long run.

R: Tighten clockwise



L: Tighten counter clockwise