



BICYCLE ASSEMBLY INSTRUCTIONS

BROOKLYN, BRISTOL & CAPRI

INDEX

○	Component list	2
○	Tool list	4
1	Unpacking	5
2	Stem & Handlebar	6
3	Front wheel	7
4	Set bike up.	9
5	Fender	10
6	Fender stays	11
7	Seatpost.	12
8	Saddle	13
9	Angles	14
10	Bell.	15
11	Pedals	16
12	Reflector	17
13	All set up.	18
14	Maintenance.	19

A new Pelago bicycle is packed pre-assembled in a box with most of the parts already installed.

The bicycle is packed in the box to prevent it from damage in shipping, and that's why some parts are not installed. Don't worry - assembling the bike is easy and soon you'll be riding!

These instructions are only guidelines for building up your new bicycle and there might be small variations with specific models. If you have any questions or do not understand something in the instructions, consult with your local dealer, bicycle shop or our web support.

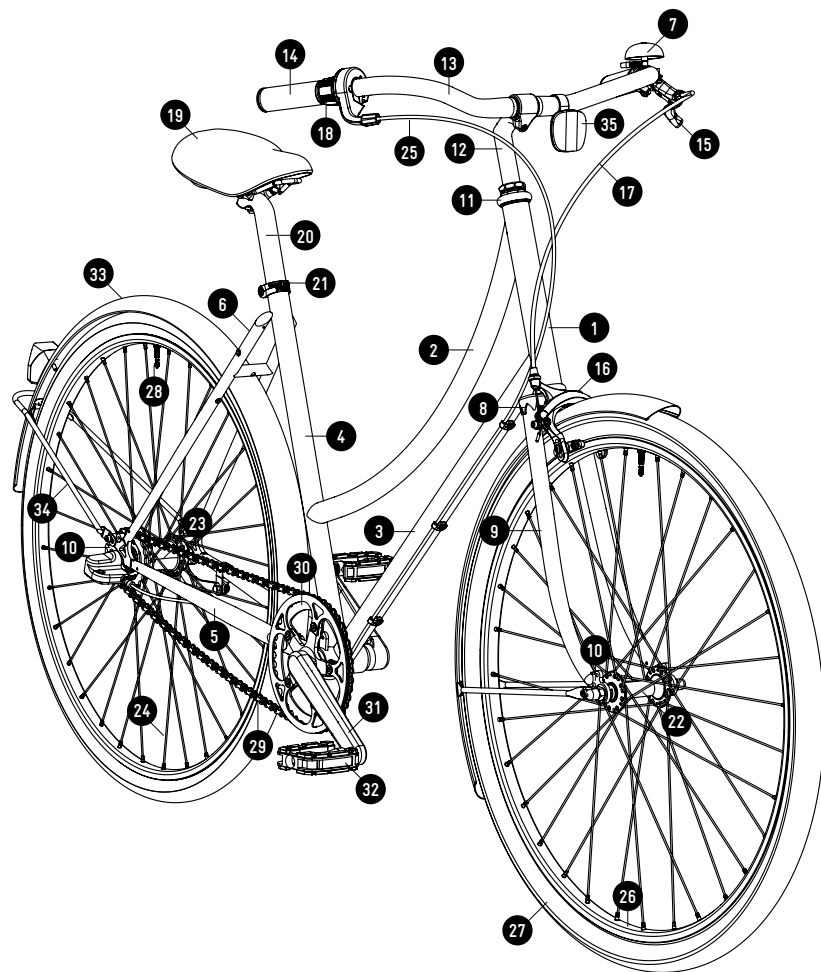
This manual is not intended as a comprehensive use, service, repair or maintenance manual. Please see a dealer or professional bicycle service for all service, repairs or maintenance.

Pelago[®]
BICYCLES

MANUFACTURER

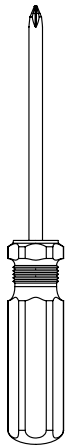
Pelago Mfg Ltd.
Helsinki, Finland
info@pelagobicycles.com
TEL +358 (0)45 161 6847

COMPONENT LIST

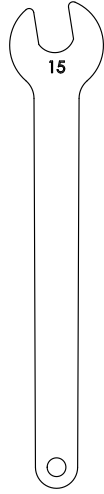


- | | |
|------------------|---------------------|
| 1 Head tube | 19 Saddle |
| 2 Top tube | 20 Seat post |
| 3 Down tube | 21 Seat post clamp |
| 4 Seat tube | 22 Front hub |
| 5 Chain stay | 23 Rear hub |
| 6 Seat stay | 24 Spokes |
| 7 Bell | 25 Gear cable |
| 8 Fork crown | 26 Rim |
| 9 Fork blade | 27 Tire |
| 10 Dropouts | 28 Inner tube valve |
| 11 Headset | 29 Chain |
| 12 Stem | 30 Front chainring |
| 13 Handlebar | 31 Crank arm |
| 14 Grip | 32 Pedal |
| 15 Brake lever | 33 Fender |
| 16 Brake caliper | 34 Fender stay |
| 17 Brake cable | 35 Reflector |
| 18 Gear shifter | |

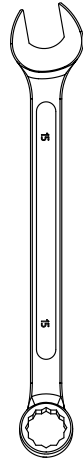
TOOL LIST



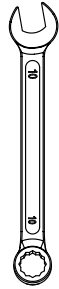
PHILLIPS
SCREWDRIVER



PEDAL
WRENCH



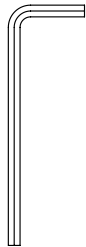
15 MM
WRENCH



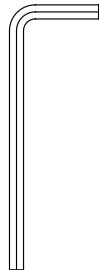
10 MM
WRENCH



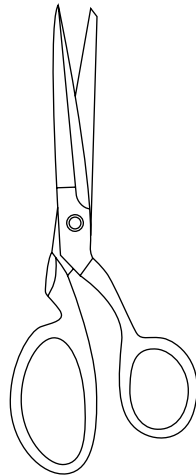
4 MM
ALLENKEY



5 MM
ALLENKEY



6 MM
ALLENKEY

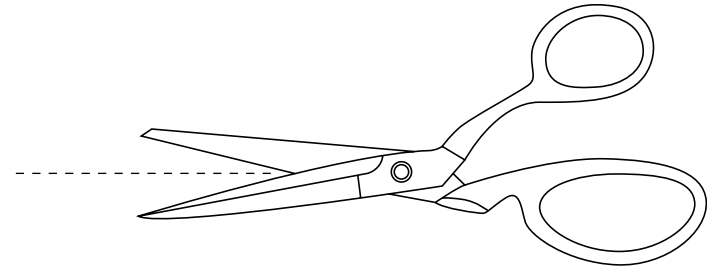


SCISSORS

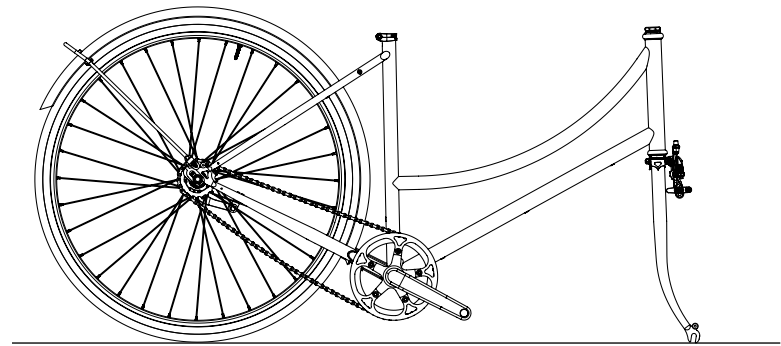
1

UNPACKING

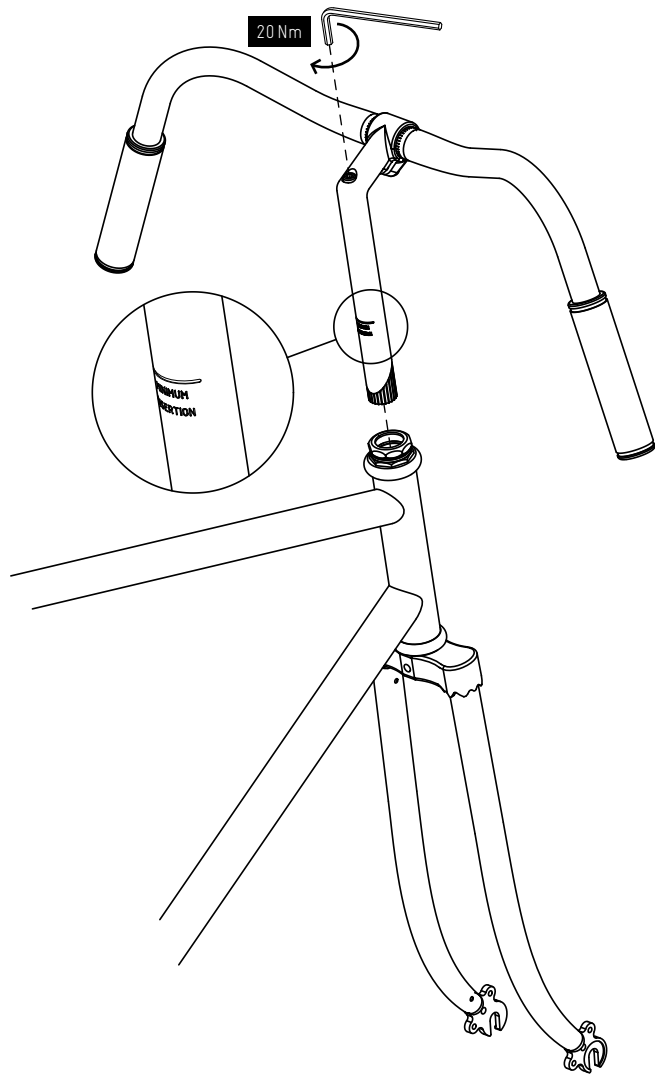
NOTE Be careful not to scratch paintwork or damage bicycle while unpacking.



SET UP BICYCLE ON THE BACKWHEEL AND FORK



2a INSERT STEM TO FRAME



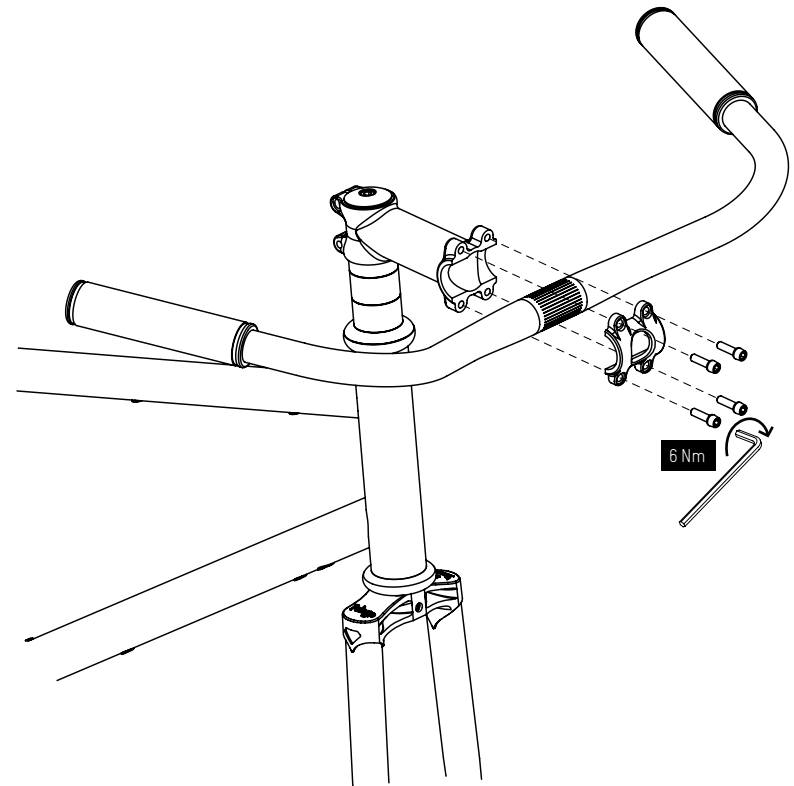
REQUIRED TOOLS

6 MM ALLEN KEY



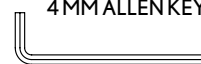
2b WITH CAPRI AND SAN SEBASTIAN MODELS
INSERT HANDLEBAR TO STEM

NOTE You don't need to adjust the handlebar angle just yet!



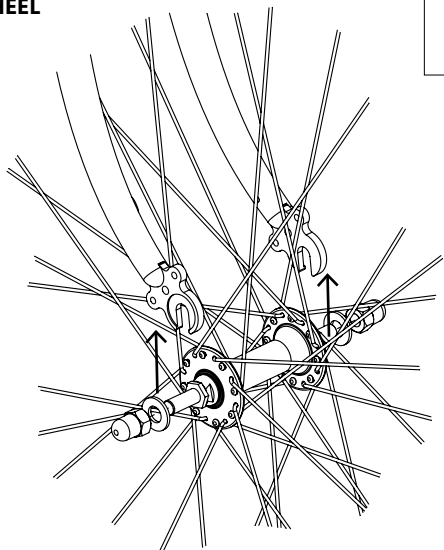
REQUIRED TOOLS

4 MM ALLEN KEY



3a

INSTALL FRONT WHEEL TO FORK



NOTE Install the front wheel so that the tyre tread rotation direction is correct.

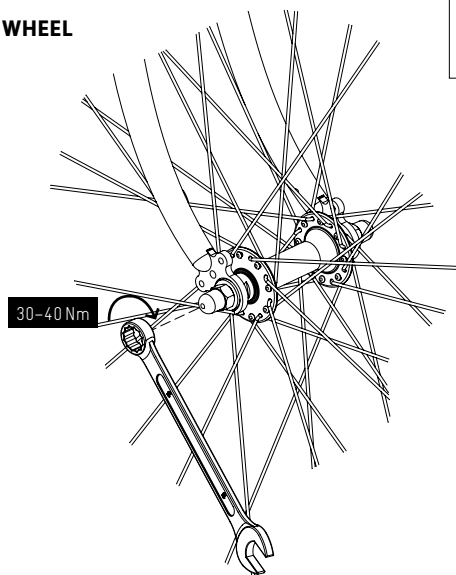
4

SET BIKE UP WITH KICKSTAND



3b

TIGHTEN FRONT WHEEL TO FORK



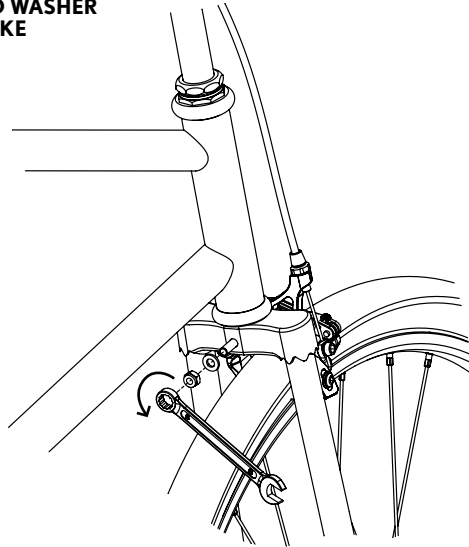
NOTE Make sure the axle sits straight at the bottom of the forks.

REQUIRED TOOLS

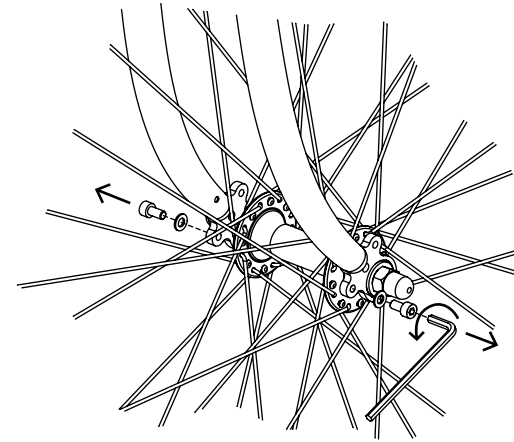


15 MM
WRENCH

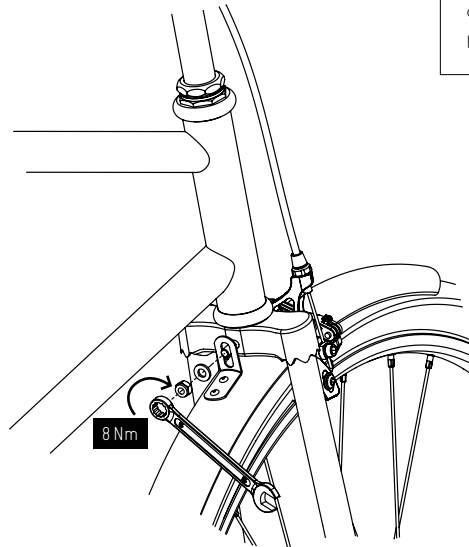
5a REMOVE NUT AND WASHER FROM FRONT BRAKE



6a REMOVE FENDER BOLTS AND FENDER STAY CLAMPS

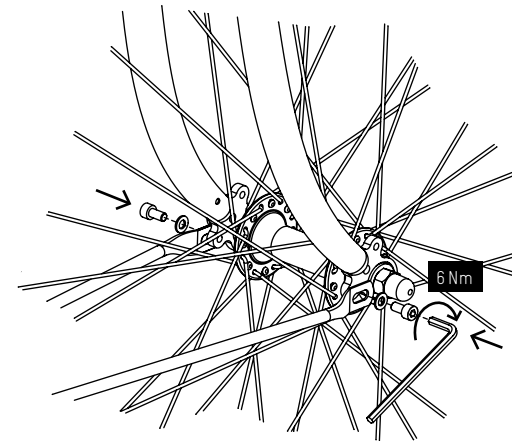


5b INSTALL FENDER

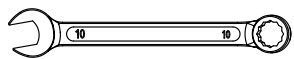


NOTE Make sure the front brake caliper sits straight and the brake pads don't rub the rim.

6b INSTALL FENDER STAYS



REQUIRED TOOLS

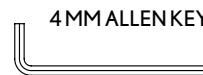


10 MM
WRENCH



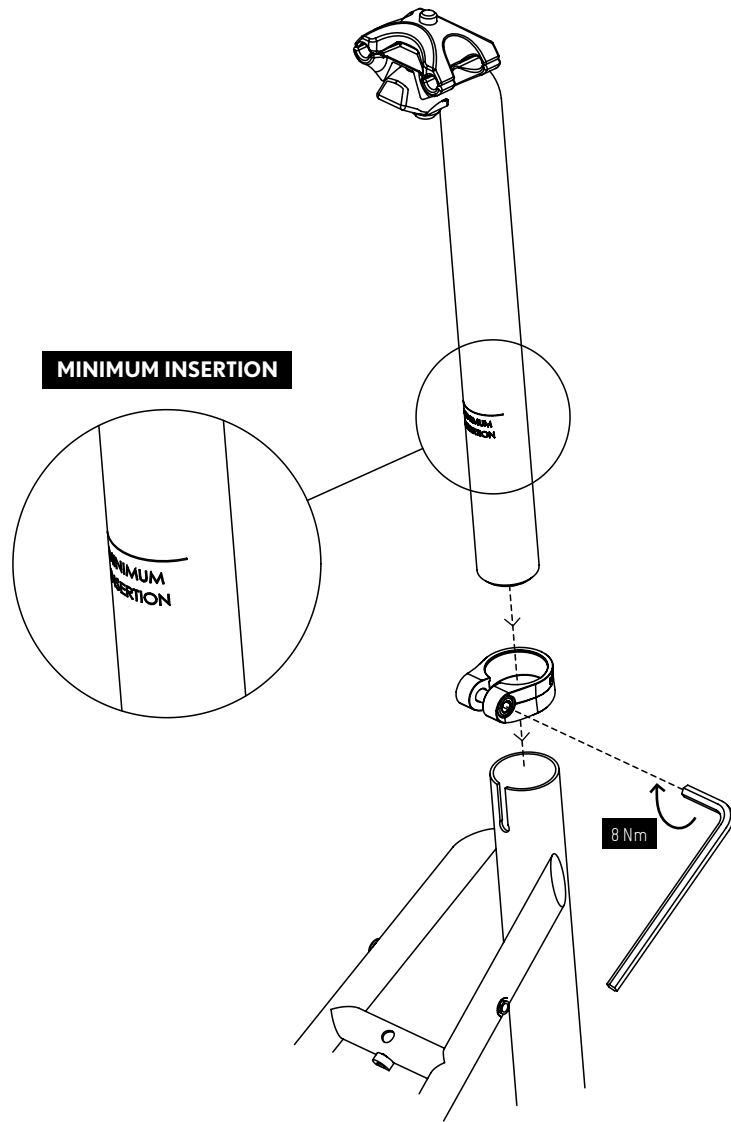
5 MM ALLEN KEY

REQUIRED TOOLS

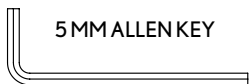


4 MM ALLEN KEY

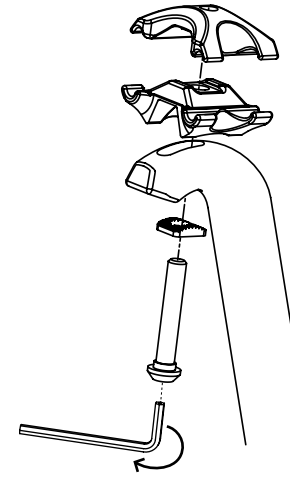
7 INSTALL SEATPOST CLAMP AND SEATPOST



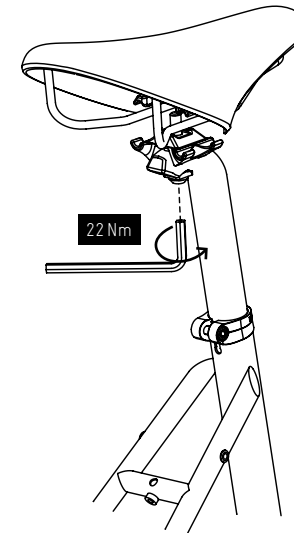
REQUIRED TOOLS



8a REMOVE SADDLE CLAMP



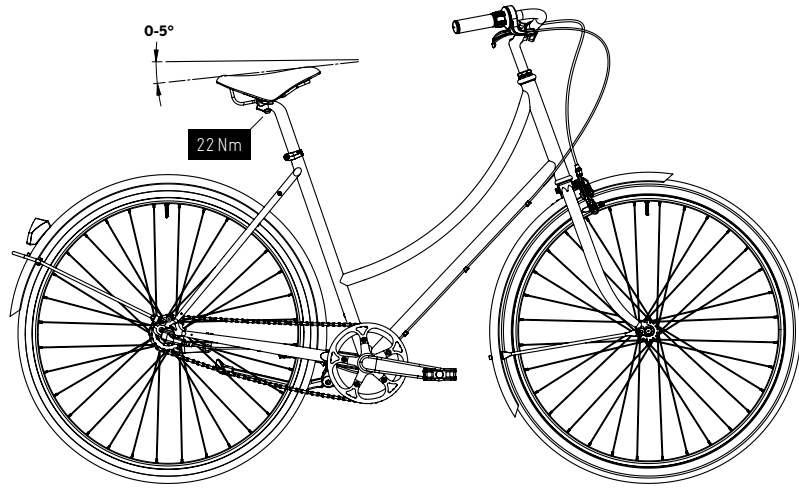
8b INSTALL SADDLE



REQUIRED TOOLS

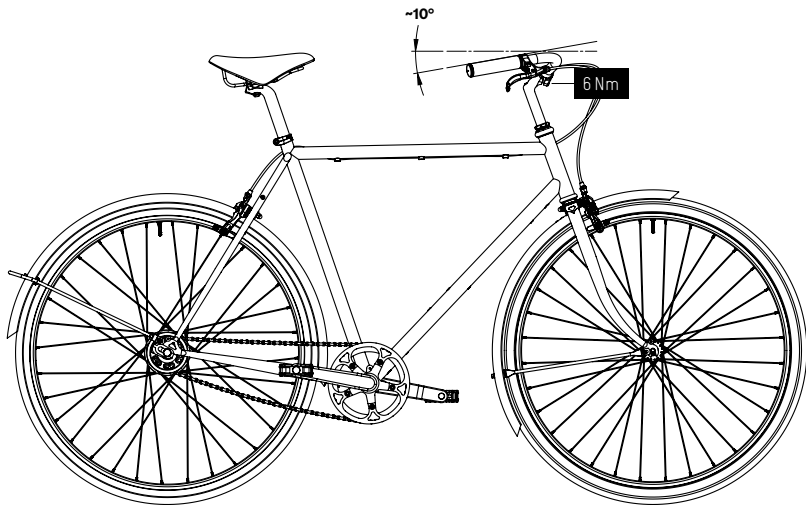


9a CHECK SADDLE ANGLE

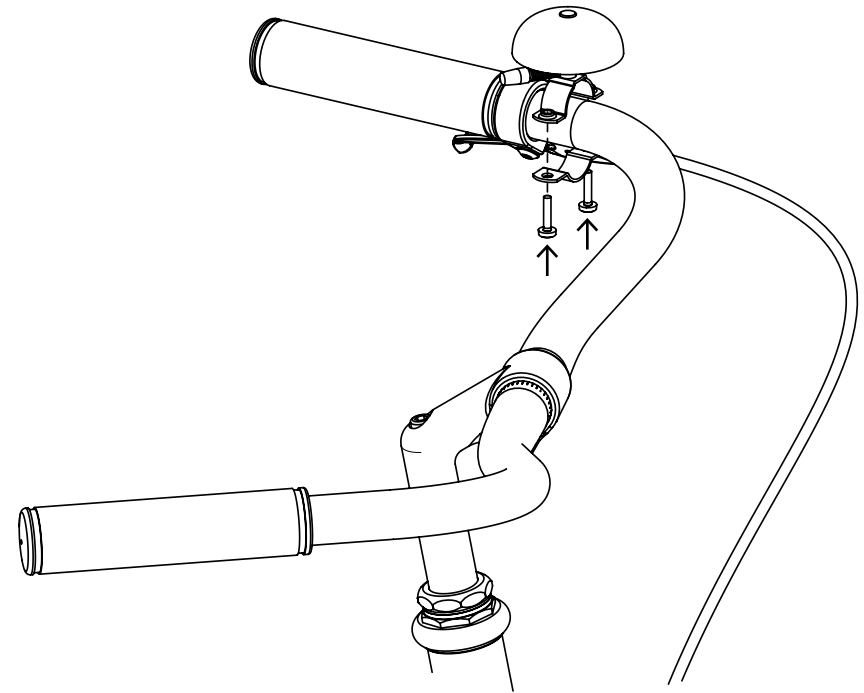


14

9b CHECK HANDLEBAR ANGLE

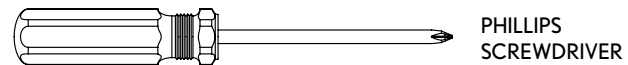


10 INSTALL BELL



15

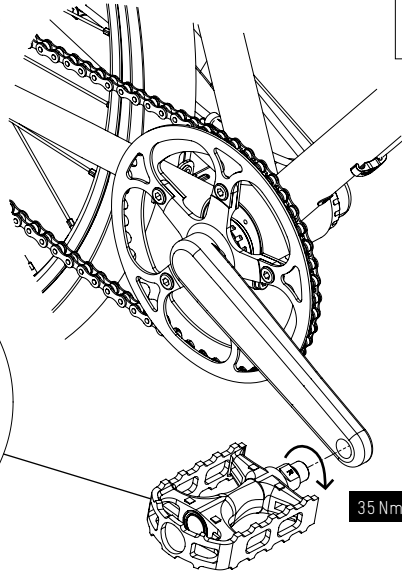
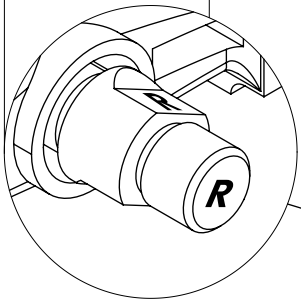
REQUIRED TOOLS



PHILLIPS
SCREWDRIVER

11a INSTALL RIGHT PEDAL (DRIVE SIDE)

NOTE
Check the marking: **R**



NOTE Right hand pedal threads tightens *CLOCKWISE*.

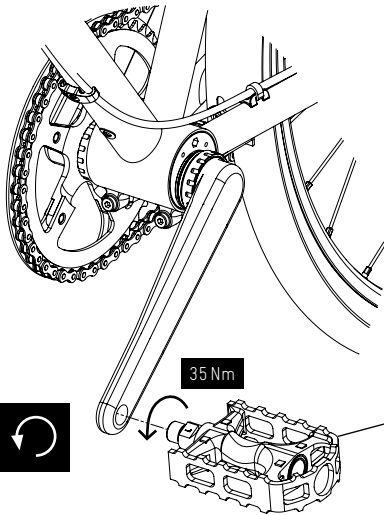
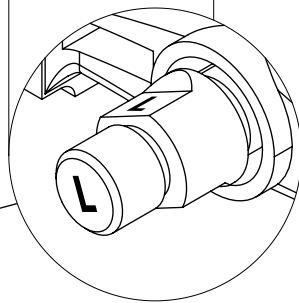
TIGHTEN CLOCKWISE

35 Nm

11b INSTALL LEFT PEDAL (NON DRIVE SIDE)

NOTE Left hand pedal threads tightens *COUNTERCLOCKWISE*.

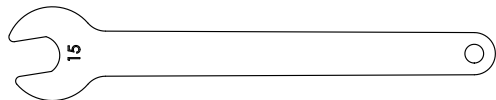
NOTE
Check the marking: **L**



TIGHTEN COUNTER-CLOCKWISE

35 Nm

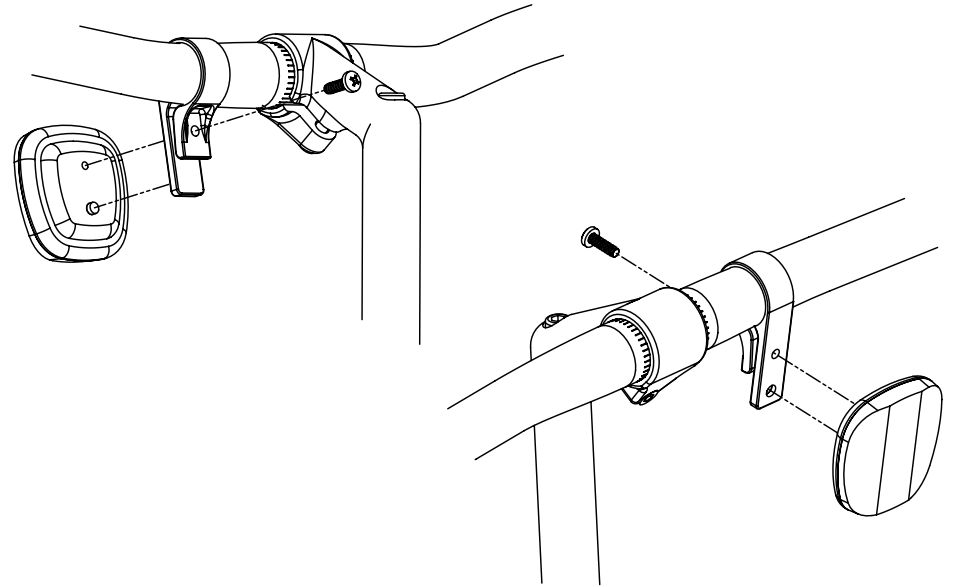
REQUIRED TOOLS



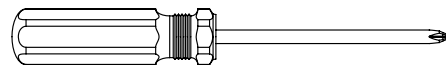
PEDAL WRENCH

12 INSTALL FRONT REFLECTOR

NOTE A bike model that is equipped with dynamo lights, the reflector is integrated in to the lights.



REQUIRED TOOLS



PHILLIPS SCREWDRIVER

NOTE On a bike model that comes w/o fenders the rear reflector is assembled under the saddle.



CONGRATULATIONS!

Your new Pelago bicycle is now assembled, but before riding remember to check the following important parts of your bicycle. It is important that all components are fastened to the correct torque and you understand the controls of your bicycle.

Check brakes.

Make sure your brakes work correctly and you can react and stop quickly enough in traffic. (Owners manual [4.3](#) brakes p. 70-77)

Check tyres.

Pump your tyres to the recommended pressure written on the sides of the tyres. (Owners manual [4.7](#) Tyres and tubes p. 86-91)

Check gears.

Make sure your gears work correctly and you know how to use them. (Owners manual [4.4](#) shifting gears p. 78-82)

All the new components on the bicycle have a break-in period in which bolts get a bit looser, brake cables stretch and get looser and generally all parts set-in. Remember to take your bicycle to your local dealer or bicycle shop for a **first service** after about a month of getting the bicycle.

This manual is only a guideline to assemble your bicycle, so remember to read through the owners manual for more specific instructions about your Pelago bicycle.

If you are unsure or have even the slightest doubt about understand something in these instructions, we urge you to take your bicycle to a professional bicycle mechanic.

Pelago[®]
BICYCLES