



# BICYCLE ASSEMBLY INSTRUCTIONS

## AIRISTO, HANKO & STAVANGER

### INDEX

○	Component list . . . . .	2
○	Tool list . . . . .	4
1	Unpacking . . . . .	5
2	Stem & Handlebar . . . . .	6
3	Front wheel . . . . .	7
4	Set bike up. . . . .	9
5	Fender . . . . .	10
6	Fender stays . . . . .	11
7	Seatpost. . . . .	12
8	Saddle . . . . .	13
9	Angles . . . . .	14
10	Bell. . . . .	15
11	Pedals . . . . .	16
12	Reflector . . . . .	17
13	All set up. . . . .	18
14	Maintenance. . . . .	19

A new Pelago bicycle is packed pre-assembled in a box with most of the parts already installed.

The bicycle is packed in the box to prevent it from damage in shipping, and that's why some parts are not installed. Don't worry - assembling the bike is easy and soon you'll be riding!

These instructions are only guidelines for building up your new bicycle and there might be small variations with specific models. If you have any questions or do not understand something in the instructions, consult with your local dealer, bicycle shop or our web support.

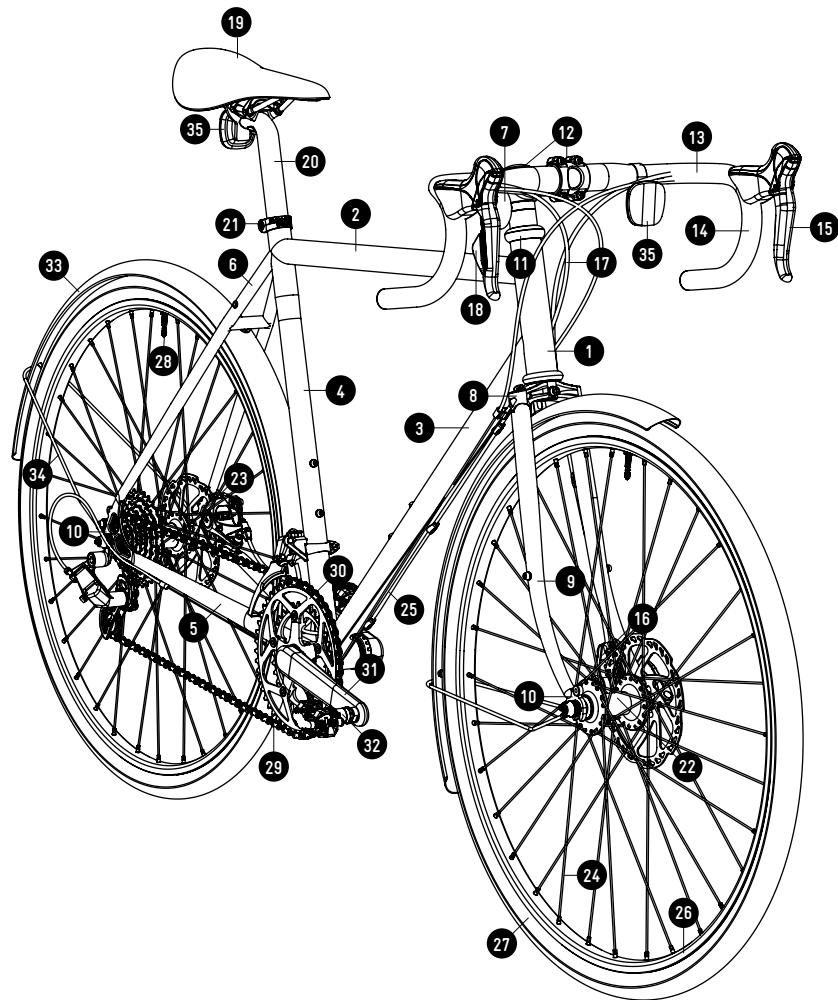
This manual is not intended as a comprehensive use, service, repair or maintenance manual. Please see a dealer or professional bicycle service for all service, repairs or maintenance.

**Pelago**<sup>®</sup>  
BICYCLES

#### MANUFACTURER

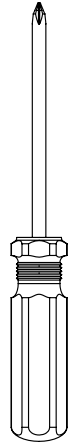
Pelago Mfg Ltd.  
Helsinki, Finland  
info@pelagobicycles.com  
TEL +358 (0)45 161 6847

## COMPONENT LIST

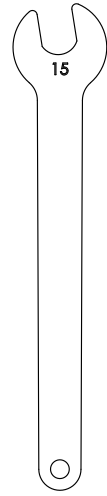


- |                  |                     |
|------------------|---------------------|
| 1 Head tube      | 19 Saddle           |
| 2 Top tube       | 20 Seat post        |
| 3 Down tube      | 21 Seat post clamp  |
| 4 Seat tube      | 22 Front hub        |
| 5 Chain stay     | 23 Rear hub         |
| 6 Seat stay      | 24 Spokes           |
| 7 Bell           | 25 Gear cable       |
| 8 Fork crown     | 26 Rim              |
| 9 Fork blade     | 27 Tire             |
| 10 Dropouts      | 28 Inner tube valve |
| 11 Headset       | 29 Chain            |
| 12 Stem          | 30 Front chainring  |
| 13 Handlebar     | 31 Crank arm        |
| 14 Grip          | 32 Pedal            |
| 15 Brake lever   | 33 Fender           |
| 16 Brake caliper | 34 Fender stay      |
| 17 Brake cable   | 35 Reflector        |
| 18 Gear shifter  |                     |

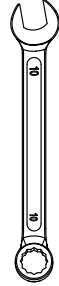
**TOOL LIST**



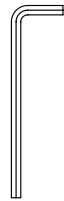
PHILLIPS  
SCREWDRIVER



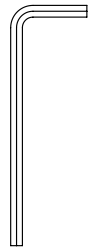
PEDAL  
WRENCH



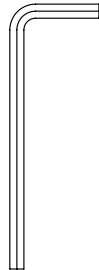
10 MM  
WRENCH



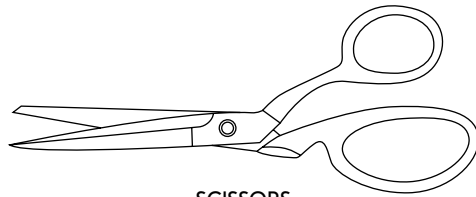
4 MM  
ALLEN KEY



5 MM  
ALLEN KEY



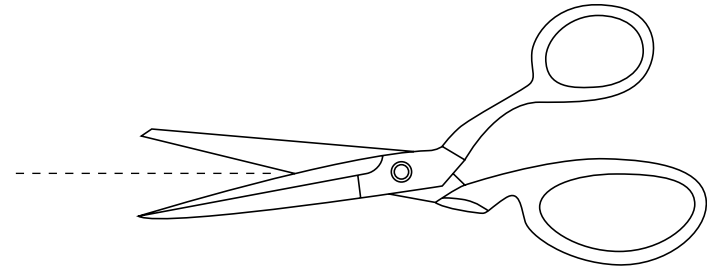
6 MM  
ALLEN KEY



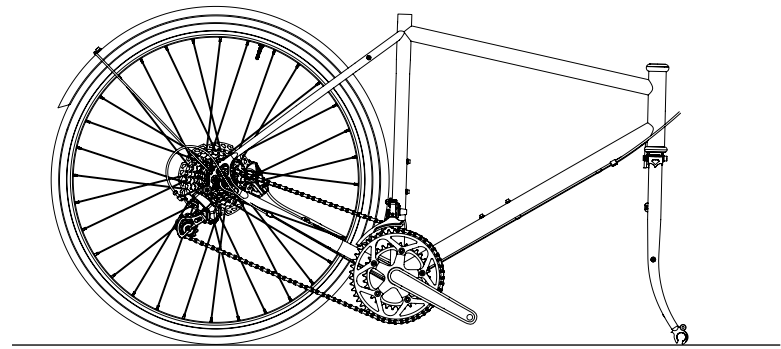
SCISSORS

**1 UNPACKING**

**NOTE** Be careful not to scratch paintwork or damage bicycle while unpacking.



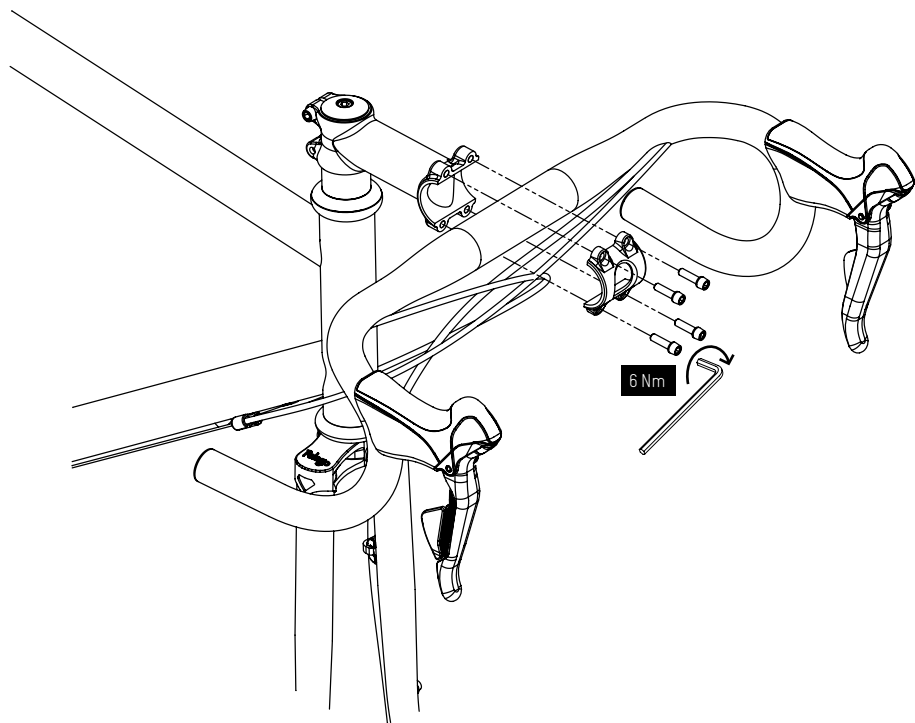
**SET UP BICYCLE ON THE BACKWHEEL AND FORK**



2

### INSERT HANDLEBAR TO STEM

**NOTE** You don't need to adjust the handlebar angle just yet!



#### REQUIRED TOOLS

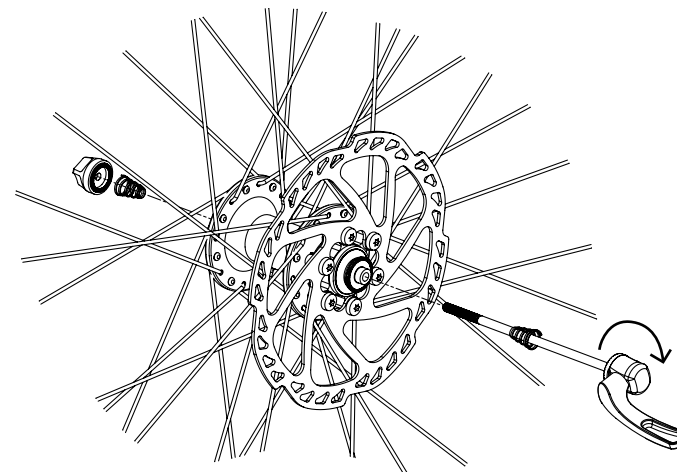
4MM ALLEN KEY



3a

### INSTALL QUICK RELEASE TO FRONT HUB

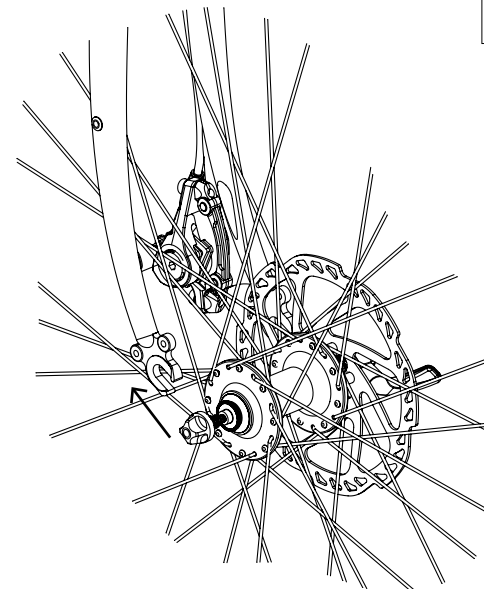
**NOTE** The quick release lever belongs on the same side as the disc brake rotor.



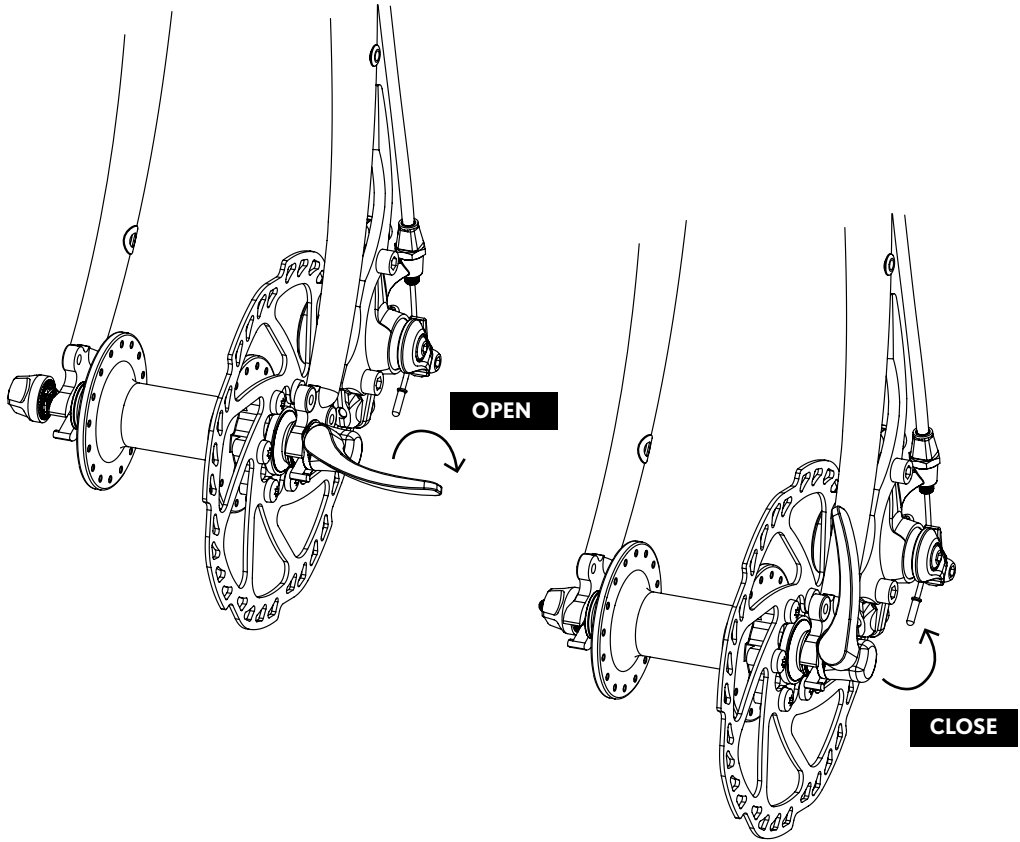
3b

### TIGHTEN FRONT WHEEL TO FORK

**NOTE** Install the front wheel so that the tyre tread rotation direction is correct.

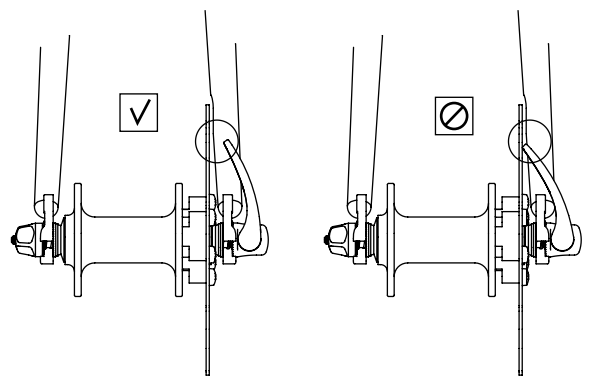


**3c** CLOSE QUICK RELEASE



**NOTE** Make sure the axle sits straight at the bottom of the forks.

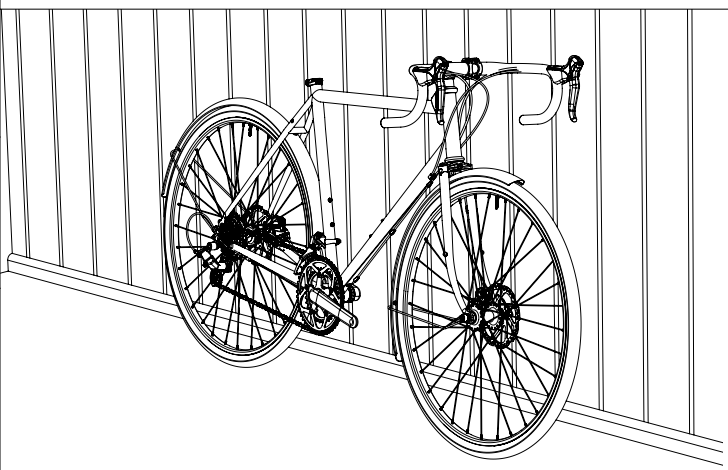
**4** SET BIKE UP WITH KICKSTAND



**NOTE** Make sure the quick release lever does not touch the disc brake rotor.

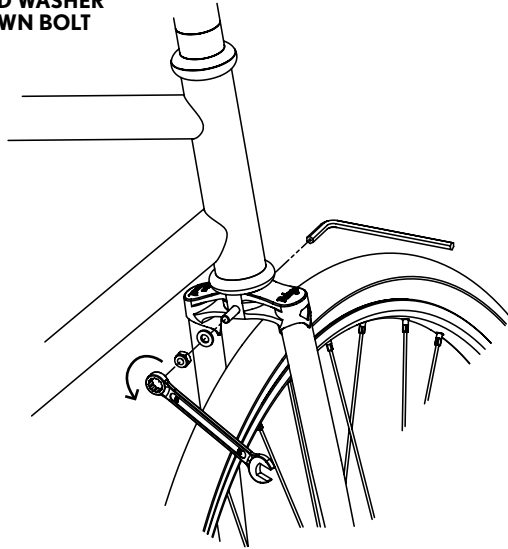
**NOTE** Turn the adjusting nut to the correct tightness and then close the quick release lever by hand. **DO NOT USE A TOOL.**

**NOTE** Make sure that the front fork does not interfere with the quick release lever. If the quick release lever is not closed properly, the wheel may fall off the bicycle and cause risk of serious injury.

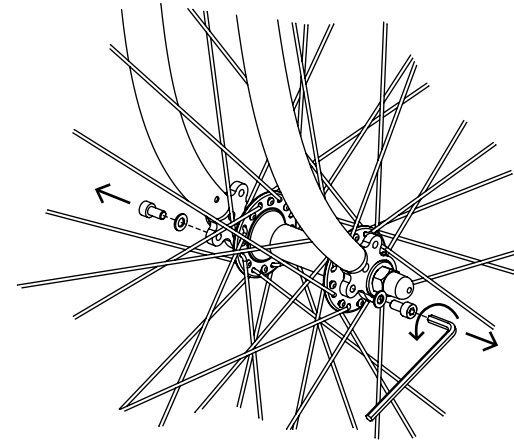


**NOTE** Some bicycle models don't have kickstands, so you might need to lean it against a wall.

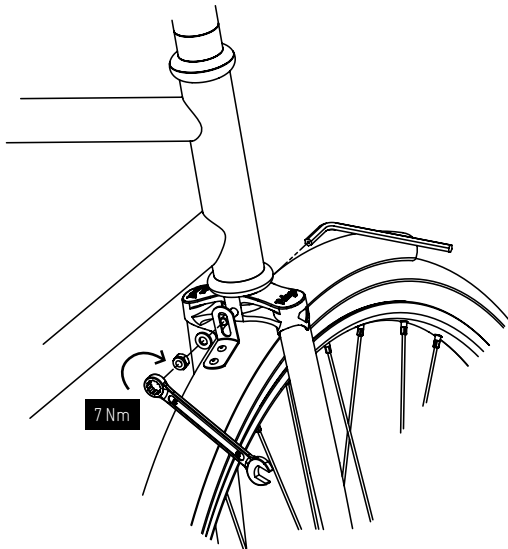
**5a** REMOVE NUT AND WASHER FROM FORK CROWN BOLT



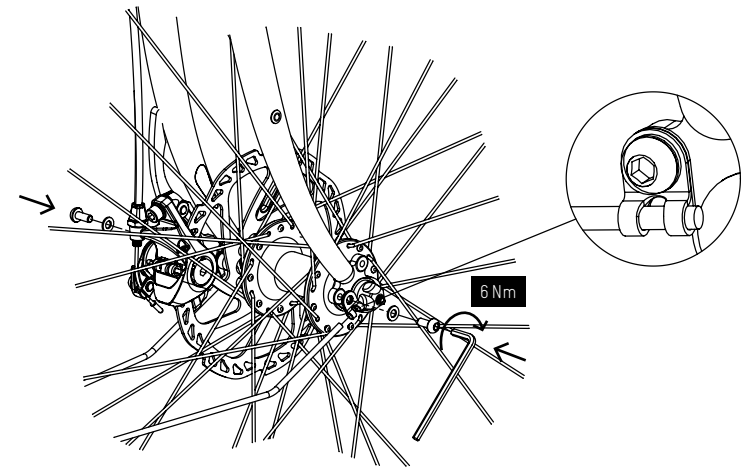
**6a** REMOVE FENDER BOLTS AND FENDER STAY CLAMPS



**5b** INSTALL FENDER



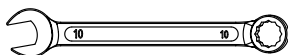
**6b** INSTALL FENDER STAYS



**REQUIRED TOOLS**



5 MM ALLEN KEY



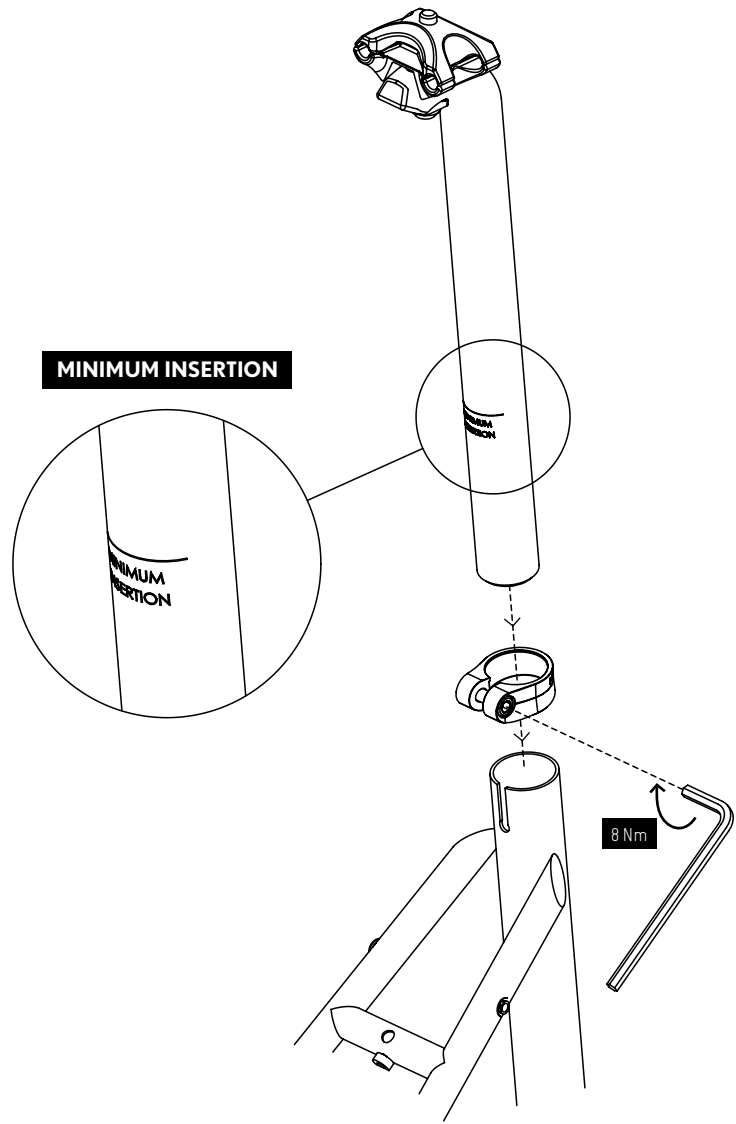
10 MM WRENCH

**REQUIRED TOOLS**



4 MM ALLEN KEY

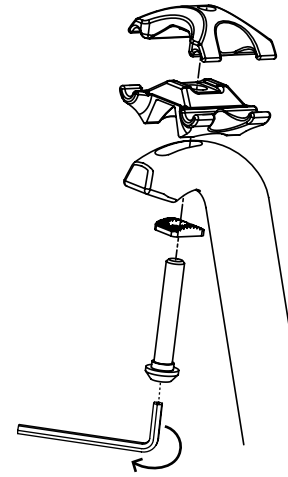
**7** INSTALL SEATPOST CLAMP AND SEATPOST



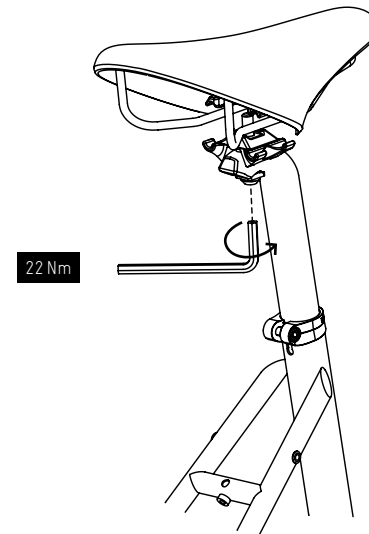
**REQUIRED TOOLS**



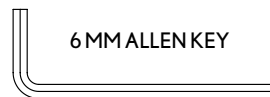
**8a** REMOVE SADDLE CLAMP



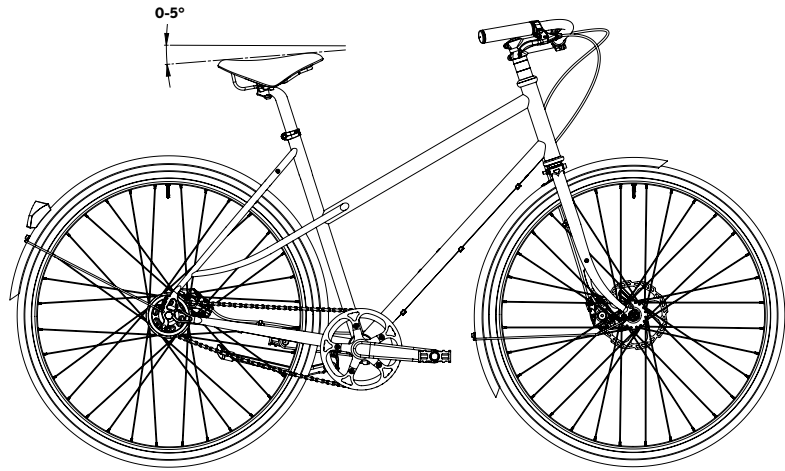
**8b** INSTALL SADDLE



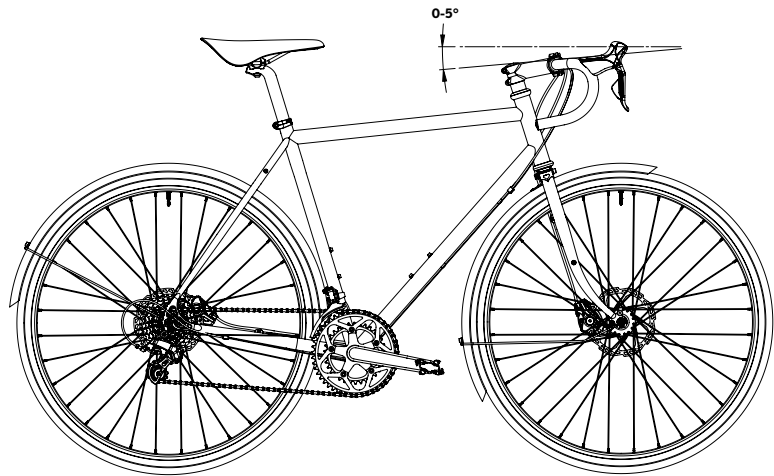
**REQUIRED TOOLS**



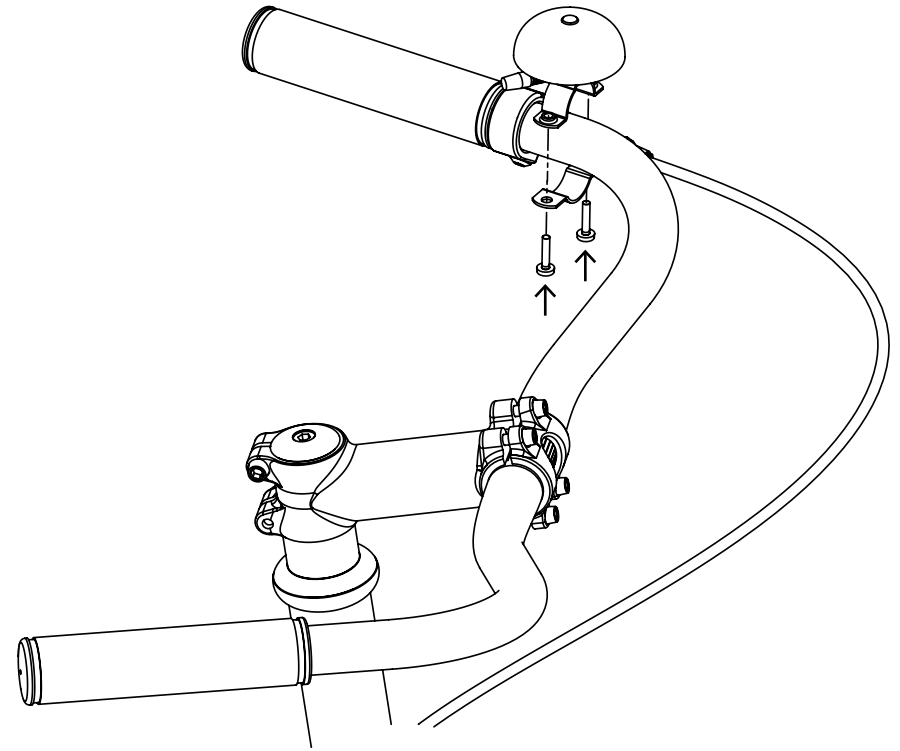
**9a** CHECK SADDLE ANGLE



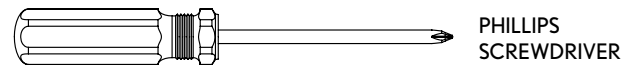
**9b** CHECK HANDLEBAR ANGLE



**10** INSTALL BELL



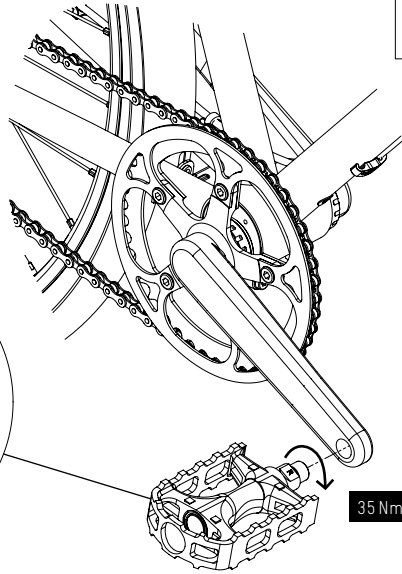
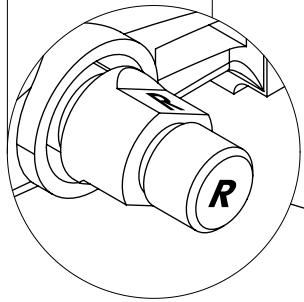
**REQUIRED TOOLS**





**11a** INSTALL RIGHT PEDAL (DRIVE SIDE)

**NOTE**  
Check the marking: **R**



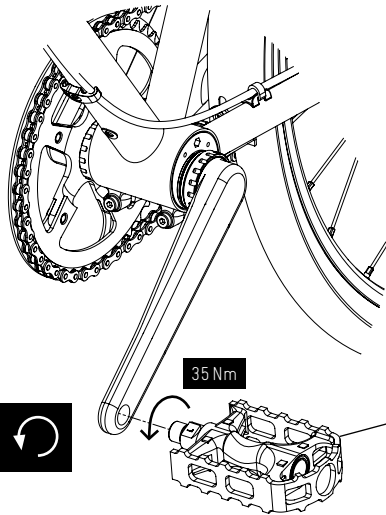
**NOTE** Right hand pedal threads tightens *CLOCKWISE*.

**TIGHTEN CLOCKWISE**

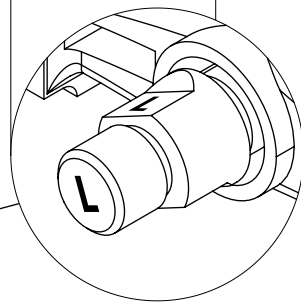
35 Nm

**11b** INSTALL LEFT PEDAL (NON DRIVE SIDE)

**NOTE** Left hand pedal threads tightens *COUNTERCLOCKWISE*.



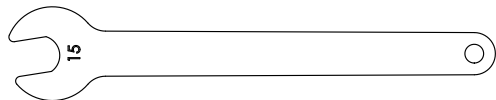
**NOTE**  
Check the marking: **L**



**TIGHTEN COUNTER-CLOCKWISE**

35 Nm

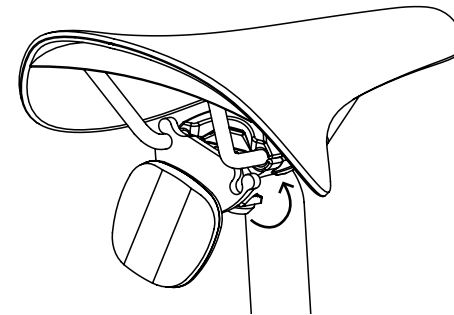
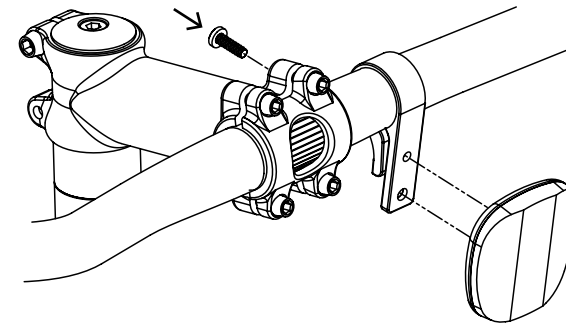
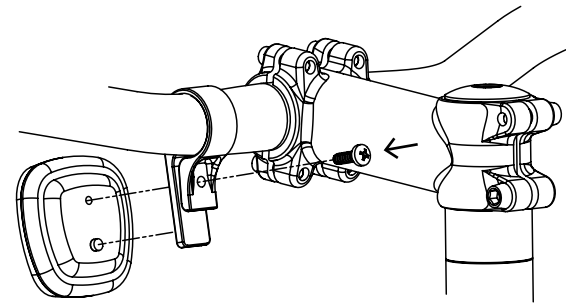
**REQUIRED TOOLS**



PEDAL WRENCH

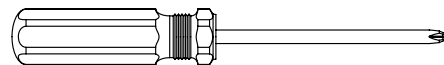
**12** INSTALL FRONT REFLECTOR

**NOTE** A bike model that is equipped with dynamo lights, the reflector is integrated in to the lights.



**NOTE** On a bike model that comes w/o fenders the rear reflector is assembled under the saddle.

**REQUIRED TOOLS**



PHILLIPS SCREWDRIVER



## CONGRATULATIONS!

Your new Pelago bicycle is now assembled, but before riding remember to check the following important parts of your bicycle. It is important that all components are fastened to the correct torque and you understand the controls of your bicycle.

- Check brakes.**  
Make sure your brakes work correctly and you can react and stop quickly enough in traffic. (Owners manual [4.3](#) brakes p. 70-77)
- Check tyres.**  
Pump your tyres to the recommended pressure written on the sides of the tyres. (Owners manual [4.7](#) Tyres and tubes p. 86-91)
- Check gears.**  
Make sure your gears work correctly and you know how to use them. (Owners manual [4.4](#) shifting gears p. 78-82)

All the new components on the bicycle have a break-in period in which bolts get a bit looser, brake cables stretch and get looser and generally all parts set-in. Remember to take your bicycle to your local dealer or bicycle shop for a **first service** after about a month of getting the bicycle.

This manual is only a guideline to assemble your bicycle, so remember to read through the owners manual for more specific instructions about your Pelago bicycle.

**If you are unsure or have even the slightest doubt about understand something in these instructions, we urge you to take your bicycle to a professional bicycle mechanic.**

**Pelago**<sup>®</sup>  
BICYCLES